

AVCO

Alloy Valves and Control

BALL VALVES 100 SERIES



Size

1/4" - 2" (Reduced Port)
1000 WOG

End Connections

NPT to ASME B1.20.1

Valve Materials

316 Stainless Steel

Ball and Stem Materials

316 Stainless Steel

Seat Materials

Teflon (PTFE)

Features

Locking Handle
Bottom Entry Stem to Prevent Blow-Out

Temperature Range

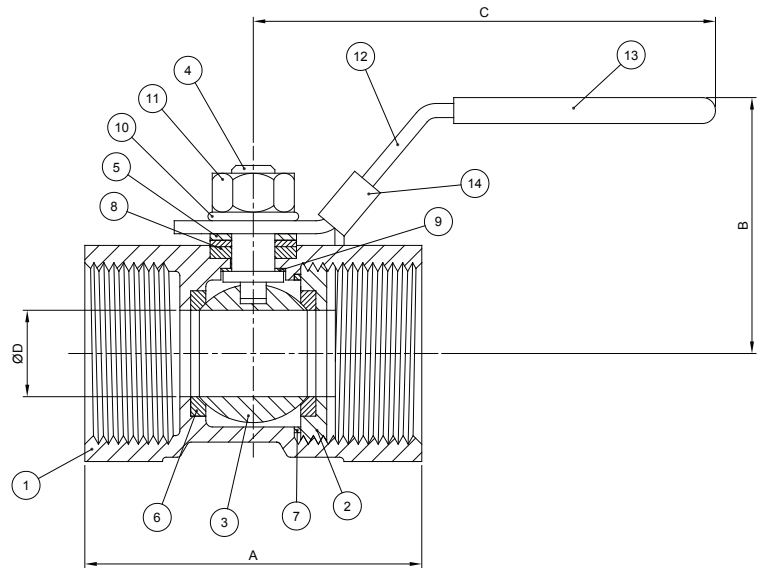
-4°F to 392°F

Service Applications

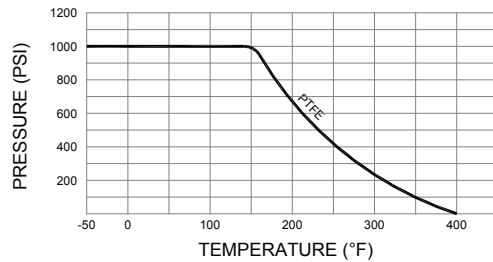
Chemical
Food Processing
Hydraulic
Steam
Vacuum
Water/Oil/Gas

Alloy Valves and Control

Item	Parts	Material
1	Body	316 Stainless Steel
2	Retainer	316 Stainless Steel
3	Ball	316 Stainless Steel
4	Stem	316 Stainless Steel
5	Gland Ring	Stainless Steel
6	Ball Seat	Teflon (PTFE)
7	Body Seal	Teflon (PTFE)
8	Packing	Teflon (PTFE)
9	Thrust Washer	Teflon (PTFE)
10	Spring Washer	Stainless Steel
11	Stem Nut	Stainless Steel
12	Handle	Stainless Steel
13	Handle Sleeve	Vinyl
14	Lock Tab	Stainless Steel



Pressure/Temperature Rating



SIZE	A (in.)	B (in.)	C (in.)	D (in.)	Cv	Weight (lbs)	TORQUE (in-lbs)
1/4"	1.54	1.38	3.17	0.20	2.5	0.15	3.5
3/8"	1.73	1.46	2.95	0.28	4.5	0.37	7.0
1/2"	2.22	1.71	3.50	0.35	7	0.44	11.3
3/4"	2.28	1.85	3.50	0.49	9	0.66	19
1"	2.80	1.97	4.17	0.63	16	1.04	30
1 1/4"	3.07	2.24	4.17	0.79	24	1.76	44
1 1/2"	3.27	2.72	5.04	0.97	37	2.12	57
2"	3.94	2.93	5.04	1.26	68	3.20	91

HOW TO ORDER

1"	1	3	3	T	T	SE
Size	Series	Body & End Material	Ball & Stem Material	Seat Material	Seal Material	End Style
1/4"	100 Series 1 Piece Ball Valve	3 - 316 SS	3 - 316 SS	T - Teflon (PTFE)	T - Teflon (PTFE)	SE - NPT
3/8"						
1/2"						
3/4"						
1"						
1 1/4"						
1 1/2"						
2"						