

AVCO

Alloy Valves and Control

BALL VALVES 500 SERIES



Size

1/4" - 4" (No Mount)
1/2" - 4" (Direct Mount & Clamp Ends)

End Connections

NPT(F)
Socket Weld
Clamp Ends

Valve Materials

316 Stainless Steel

Ball & Stem Materials

316 Stainless Steel

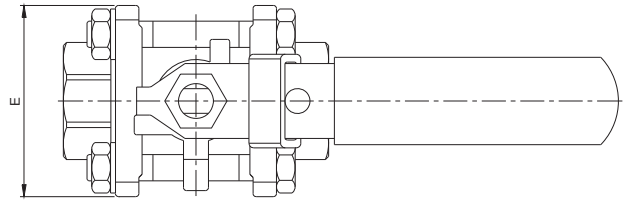
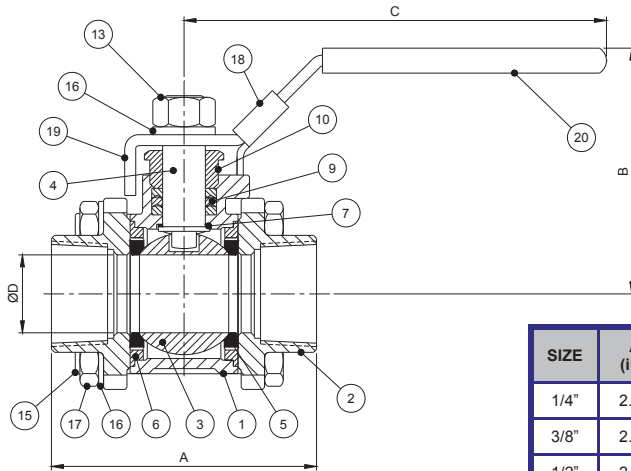
Seat Materials

RTFE (No Mount & Direct Mount)
TFM Cavity Filled (Clamp Ends)

Service Applications

Chemical
Dry/Liquid Chlorine
Food Processing
Hydraulic
Oxygen
Steam
Thermal Fluids
Vacuum
Water/Oil/Gas

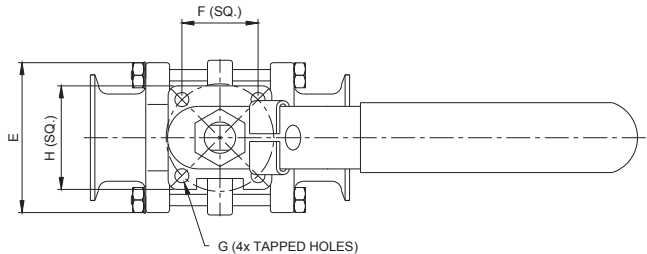
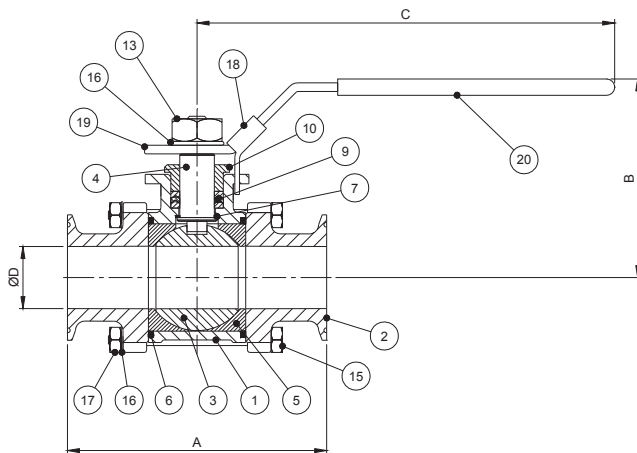
Alloy Valves and Control



STANDARD BALL VALVE

1000 WOG
Full Port
Blow-Out Proof Stem
RTFE Seats
NPT & SW Ends
Latch Lock Handle

SIZE	A (in.)	B (in.)	C (in.)	D (in.)	E (in.)	WEIGHT (lbs)	TORQUE (in-lbs)	CV
1/4"	2.56	2.36	3.94	0.46	1.56	1	35	6.6
3/8"	2.56	2.36	3.94	0.49	1.56	1	35	7.9
1/2"	2.56	2.44	3.94	0.59	1.82	2	47	11.2
3/4"	2.95	2.44	4.92	0.79	2.05	2	65	21
1"	3.35	3.15	5.87	0.98	2.28	3	90	34
1 1/4"	3.98	3.35	5.87	1.25	2.74	4	118	57
1 1/2"	4.41	3.94	7.48	1.50	3.05	6	157	80
2"	5.12	4.25	7.48	1.97	3.57	9	217	148
2 1/2"	6.38	5.35	9.84	2.48	4.48	18	416	265
3"	7.40	5.75	9.84	2.99	6.67	30	651	415
4"	8.82	7.17	12.72	3.78	8.65	55	955	780

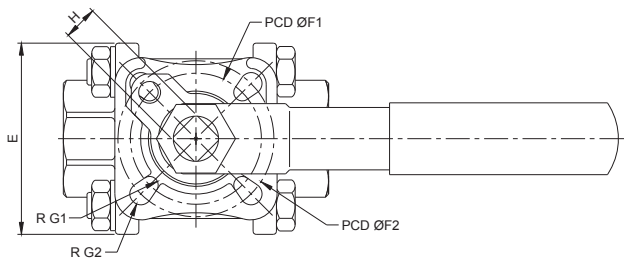
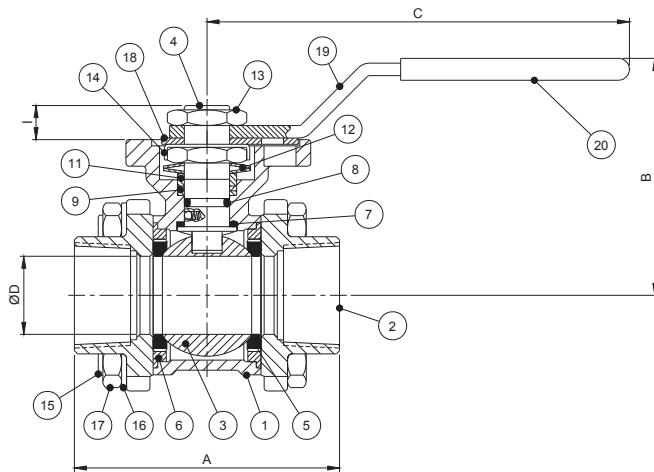


CLAMP BALL VALVE

1000 WOG
Full Port
Blow-Out Proof Stem
TFM Cavity Filled Seats
Clamp Ends
Latch Lock Handle
ISO Mounting Pad

SIZE	A (in.)	B (in.)	C (in.)	D (in.)	E (in.)	F (in.)	G (in.)	H (in.)	ISO 5211	WEIGHT (lbs)	TORQUE (in-lbs)	CV
1/2"	3.57	2.50	5.56	0.38	1.91	1.00	M5	1.46	F03	2	51	9
3/4"	4.06	2.62	5.56	0.62	2.20	1.00	M5	1.46	F03	3	79	26
1"	4.53	2.73	5.56	0.87	2.34	1.17	M5	1.65	F04	3	113	61
1 1/2"	5.51	3.96	7.41	1.37	3.16	1.39	M6	1.97	F05	6	203	193
2"	6.22	4.35	7.41	1.88	3.70	1.39	M6	1.97	F05	10	248	432
2 1/2"	7.76	5.48	10.24	2.37	4.80	1.95	M8	2.83	F07	19	528	728
3"	8.98	5.83	10.24	2.87	6.16	1.95	M8	2.83	F07	32	821	1125
4"	9.52	6.89	11.61	3.84	8.70	2.84	M10	3.70	F10	46	1379	1986

Alloy Valves and Control

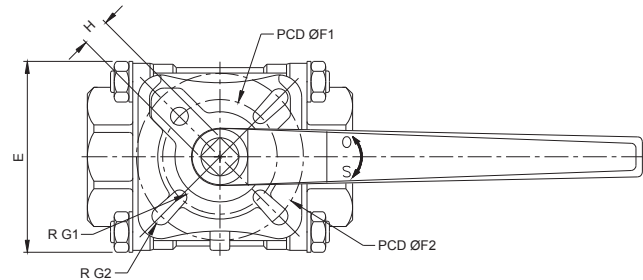
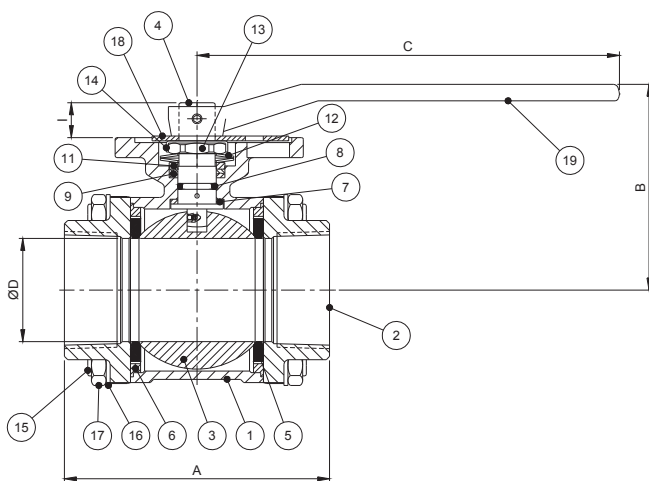


DIRECT MOUNT BALL VALVE (1/2" - 2")

1000 WOG
Full Port
Blow-Out Proof Stem
RTFE Seats
NPT & SW Ends
Latch Lock Handle

ISO Direct Mounting Pad
Built In Coupler
Spring System on Stem
Fixed Spring Load
Anti-Static Device

SIZE	A (in.)	B (in.)	C (in.)	D (in.)	E (in.)	F1 (in.)	F2 (in.)	G1 (in.)	G2 (in.)	H (in.)	I (in.)	ISO 5211	WEIGHT (lbs)	TORQUE (in-lbs)	CV
1/2"	2.56	2.36	4.72	0.59	1.82	1.42	1.65	0.11	0.11	0.35	0.33	F03/F04	2	49	5
3/4"	2.95	2.52	4.72	0.79	2.05	1.42	1.65	0.11	0.11	0.35	0.33	F03/F04	2	67	21
1"	3.35	2.91	5.83	0.98	2.28	1.65	1.97	0.11	0.14	0.43	0.43	F04/F05	3	98	46
1 1/4"	3.98	3.11	5.83	1.26	2.74	1.65	1.97	0.11	0.14	0.43	0.43	F04/F05	4	133	67
1 1/2"	4.41	3.74	7.01	1.50	3.05	1.97	2.76	0.14	0.18	0.55	0.55	F05/F07	6	177	87
2"	5.12	4.06	7.01	1.97	3.57	1.97	2.76	0.14	0.18	0.55	0.55	F05/F07	9	354	210



DIRECT MOUNT BALL VALVE (2 1/2" - 4")

1000 WOG
Full Port
Blow-Out Proof Stem
RTFE Seats
NPT & SW Ends
Latch Lock Handle

ISO Direct Mounting Pad
Built In Coupler
Spring System on Stem
Fixed Spring Load
Anti-Static Device

SIZE	A (in.)	B (in.)	C (in.)	D (in.)	E (in.)	F1 (in.)	F2 (in.)	G1 (in.)	G2 (in.)	H (in.)	I (in.)	ISO 5211	WEIGHT (lbs)	TORQUE (in-lbs)	CV
2 1/2"	6.38	4.84	12.80	2.48	4.48	2.76	4.02	0.18	0.22	0.67	0.81	F07/F10	16	531	275
3"	7.40	5.18	12.80	2.99	6.67	2.76	4.02	0.18	0.22	0.67	0.81	F07/F10	23	753	485
4"	8.82	6.52	12.80	3.78	8.65	4.02	4.92	0.22	0.26	0.87	0.89	F10/F12	43	1328	617

500 Series Ball Valve - Materials

Item	Part	Standard	Direct Mount	Clamp
1	Body	316 SS	316 SS	316L SS
2	End Cap	316 SS	316 SS	316L SS
3	Ball	316 SS	316 SS	316L SS
4	Stem	316 SS	316 SS	316L SS
5	Seat	RTFE	RTFE	TFM
6	Seal	TFE	TFE	TFM
7	Thrust Washer	TFE	TFE	TFE
8	O-Ring	-	Viton	-
9	Packing	TFE	TFE	TFE
10	Gland Nut	304 SS	-	304 SS
11	Gland Ring	-	304 SS	-
12	Disk Spring	-	304 SS	-
13	Stem Nut	304 SS	304 SS	304 SS
14	Lock Tab	-	304 SS	-
15	Bolt	304 SS	304 SS	304 SS
16	Lock Washer	304 SS	304 SS	304 SS
17	Nut	304 SS	304 SS	304 SS
18	Locking Device	304 SS	304 SS	304 SS
19	Handle	304 SS	304 SS	304 SS
20	Handle Sleeve	Vinyl	Vinyl	Vinyl

AUTOMATION

Pneumatic Actuators:
Spring Return
Double Acting

Electric Actuators:
120 VAC
12 & 24 VDC

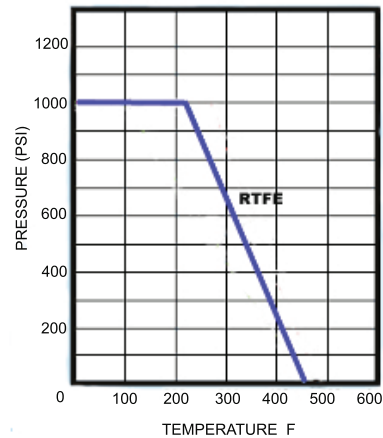
Solenoid Valves

Limit Switches

Positioners



PRESSURE-TEMPERATURE RATING



HOW TO ORDER

1"	5	3	3	R	T	SE	
Size	Series	Body & End Material	Ball & Stem Material	Seat Material	Seal Material	End Style	Features
1/4"	500 Series	3 - 316 S.S	3 - 316 S.S	R - RTFE	T - TFE	SE - NPT(F)	Blank - Standard/Clamp
3/8"	3 Piece Economy			T - TFM		SW - Socket Weld	DM - Direct Mount
1/2"	Full Port Ball Valve					TR - Clamp	CF - Cavity Filled
3/4"							
1"							
1 1/4"							
1 1/2"							
2"							
2 1/2"							
3"	Available as: Standard			Options: Standard - RTFE only Direct Mount - RTFE only Clamp - TFM only		Options: Standard - SE, SW Direct Mount - SE, SW Clamp - TR only	Options: Standard - Blank only Direct Mount - DM only Clamp - Blank, CF
4"	Direct Mount Clamp with ISO Pad						