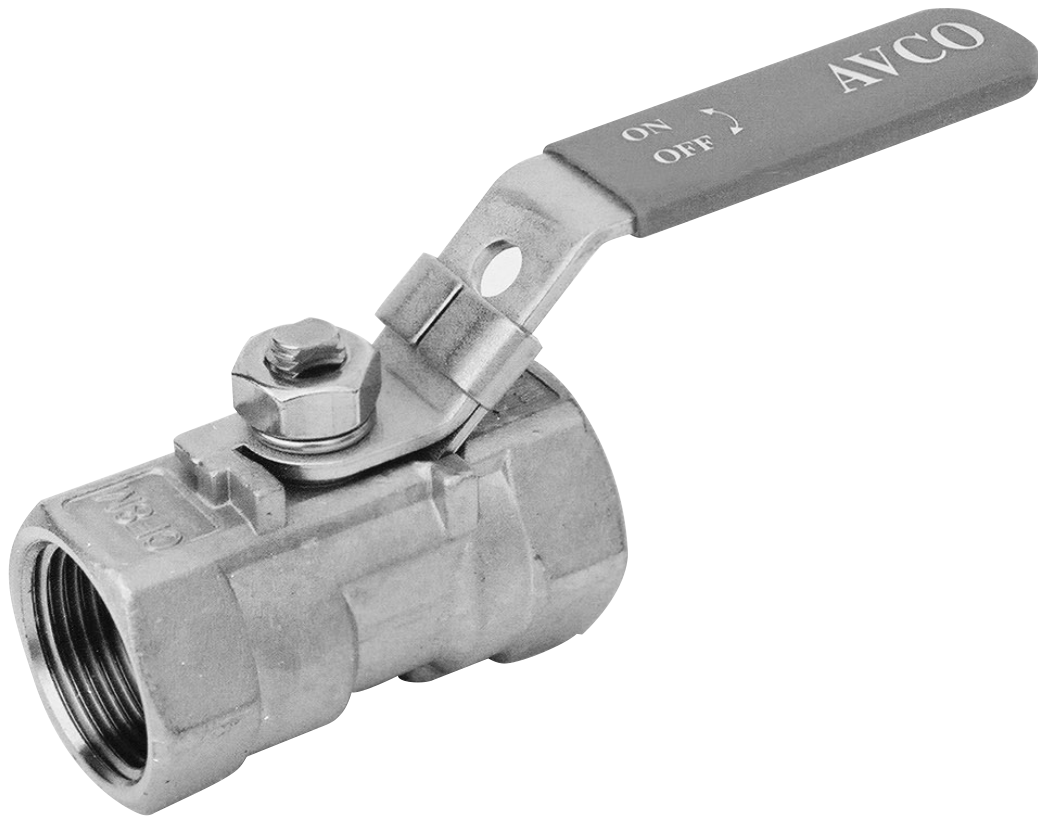




*Alloy Valves and Control*

## BALL VALVES 100 SERIES



**Size:**  
1/4" - 2" Reduce Port  
800 WOG

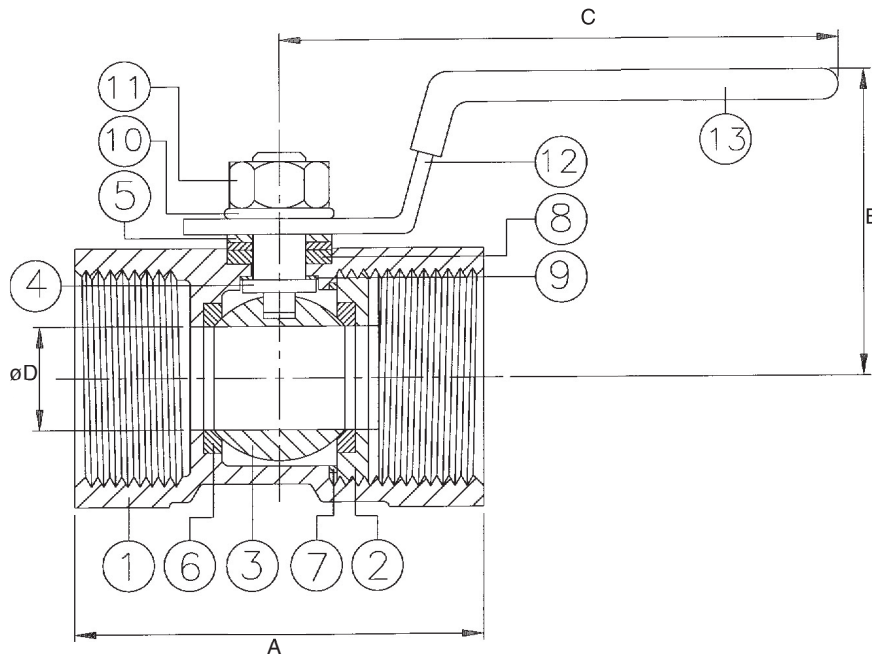
**End Connections:**  
NPT

**Valve Materials:**  
316 Stainless Steel

**Ball and Stem Materials:**  
316 Stainless Steel

**Seat Materials:**  
TFE

**Service Applications:**  
Hydraulic  
Steam  
Oxygen  
Vacuum  
Chemical  
Oil/ Gas  
Food Processing



### Features

- The NPT ends conform to ASME
- Investment Casting
- Blow-out Proof Stem
- Reduce bore 800 WOG
- TFE Seat, Seal, Packing

	Parts	Material
1	Body	316 SS
2	Retainer	316 SS
3	Ball	316 SS
4	Stem	316 SS
5	Gland Ring	SS
6	Ball Seat	TFE
7	Body Seal	TFE
8	Packing	TFE
9	Thrust Washer	TFE
10	Spring Washer	SS
11	Stem Nut	SS
12	Handle	SS
13	Handle Sleeve	Vinyl

SIZE	A	B	C	D	WEIGHT/LB	TORQUE IN/LB	CV
1/4"	1.54	1.38	3.17	0.20	0.15	3.5	2.5
3/8"	1.73	1.46	2.95	0.28	0.37	7.0	4.5
1/2"	2.22	1.71	3.50	0.35	0.44	11.30	7
3/4"	2.28	1.85	3.50	0.49	0.66	19.00	9
1"	2.80	1.97	4.17	0.63	1.04	30.00	16
1-1/4"	3.07	2.24	4.17	0.79	1.76	44.00	24
1-1/2"	3.27	2.72	5.04	0.97	2.12	57.00	37
2"	3.94	2.93	5.04	1.26	3.20	91.00	68

### HOW TO ORDER

1"	1	3	3	T	T	SE
Size	Series	Body & End Material	Ball & Stem	Seat	Seal	End
1/4" 3/8" 1/2" 3/4" 1" 1 1/4" 1 1/2" 2"	100 Series 1 Piece Ball Valve	3-316SS	3-316SS	T-Teflon	T-Teflon	SE-FNPT

Distributed by:

Copyright © 2003 Alloy Valves and Control, Inc. All rights reserved. No part of this brochure may be used or reproduced in any manner whatsoever without written permission of AVCO.

This brochure is general in nature and manufacturer reserves the right to alter dimensions, materials or make design improvements