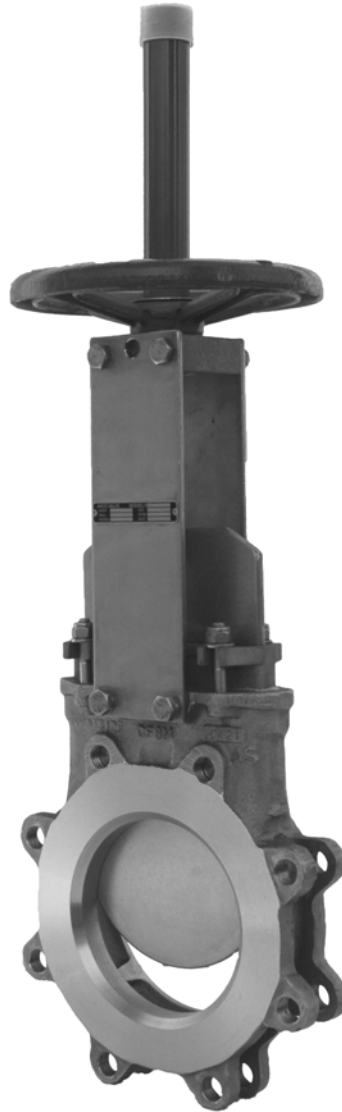


AVCO

Alloy Valves and Control

KNIFEGATE VALVES 6000 SERIES



Size

2" - 24"

End Connections

150# Lug

Port Type

Standard
V-Port
Deflector Cone

Body & Trim Materials

316 Stainless Steel
Hastelloy

Seat Materials

Metal
Buna
EPDM
Neoprene
Viton

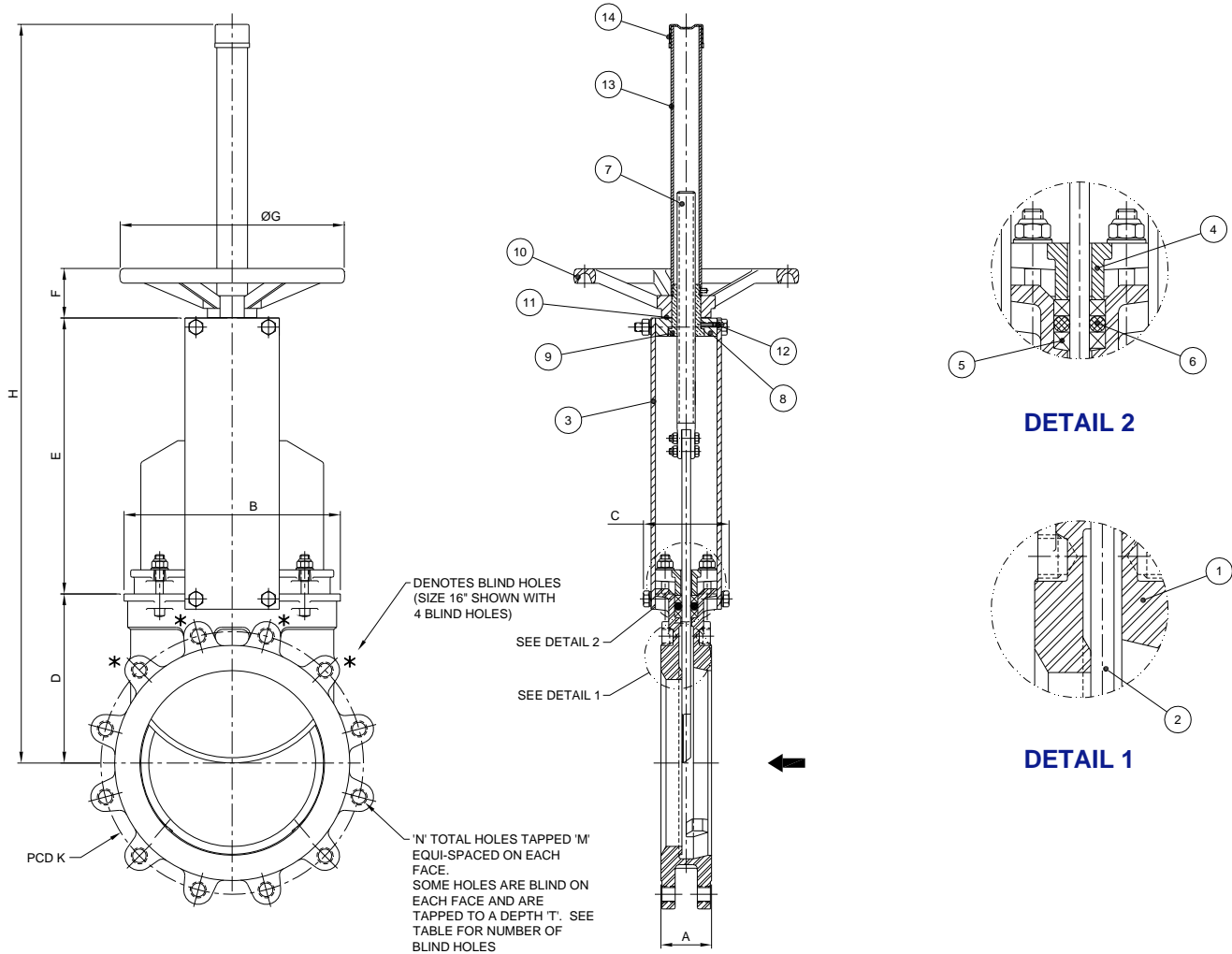
Service Applications

Chemical
Food & Beverage
Mining
Power Plants
Pulp & Paper
Waste Water

Applicable Standards

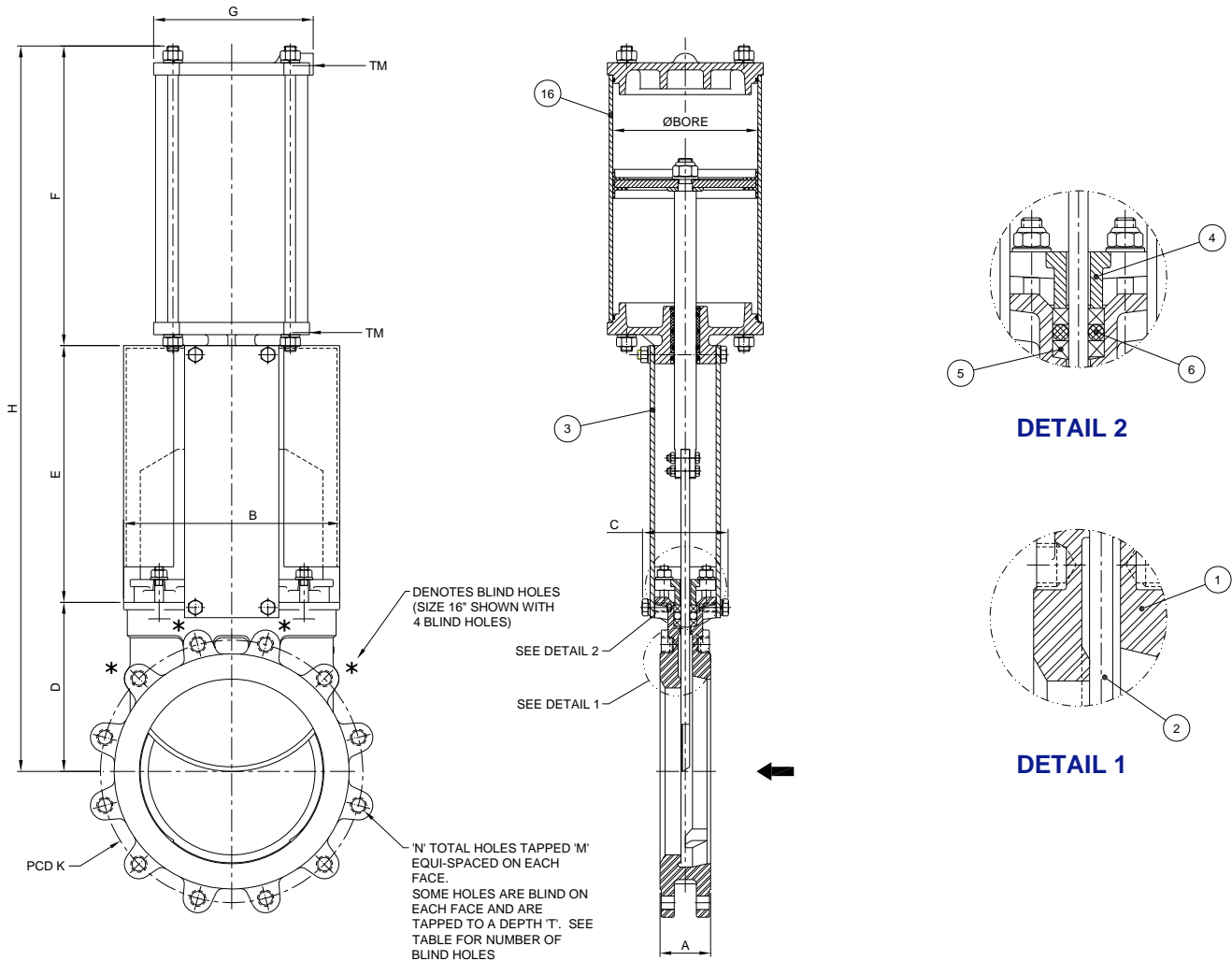
MSS-SP-81
TAPPI TIS 405-8

Alloy Valves and Control



SIZE	A (in.)	B (in.)	C (in.)	D (in.)	E (in.)	F (in.)	G (in.)	H (in.)	K (in.)	M	N	T (in.)	NO. OF BLIND HOLES	WEIGHT (lbs)
2"	1.9	4.9	3.5	3.9	5.6	1.9	7.9	17.2	4.75	5/8 UNC	4	0.31	2	17
3"	2.0	5.9	3.5	4.7	6.6	1.9	7.9	18.7	6.00	5/8 UNC	4	0.34	2	22
4"	2.0	6.7	3.5	5.5	7.6	1.9	7.9	20.5	7.50	5/8 UNC	8	0.34	2	27
5"	2.3	6.7	4.1	5.9	8.5	2.0	9.8	23.9	8.50	3/4 UNC	8	0.34	2	35
6"	2.3	7.7	4.1	6.5	9.6	2.0	9.8	25.5	9.50	3/4 UNC	8	0.47	2	44
8"	2.7	9.7	4.6	8.0	12.5	2.5	11.8	32.6	11.75	3/4 UNC	8	0.47	2	70
10"	2.7	11.7	4.6	9.2	13.9	2.5	11.8	39.1	14.25	7/8 UNC	12	0.47	4	103
12"	3.0	13.7	4.6	10.7	15.6	2.5	16.1	42.4	17.00	7/8 UNC	12	0.47	4	143
14"	3.0	15.5	7.6	12.3	18.3	2.7	16.1	50.3	18.75	1 UNC	12	0.59	4	209
16"	3.5	17.4	7.6	13.7	20.2	2.7	16.1	53.5	21.25	1 UNC	16	0.59	4	268
18"	3.5	19.0	7.8	15.0	21.7	2.7	21.7	59.4	22.75	1 1/8 UNC	16	0.59	6	352
20"	4.5	21.3	7.8	17.0	24.1	2.7	21.7	63.7	25.00	1 1/8 UNC	20	0.88	6	444
24"	4.5	25.1	7.8	19.7	27.4	2.7	21.7	74.1	29.50	1 1/4 UNC	20	0.88	6	638

Alloy Valves and Control



SIZE	A (in.)	B (in.)	C (in.)	D (in.)	E (in.)	F (in.)	G (in.)	H (in.)	K (in.)	M	N	T (in.)	NO. OF BLIND HOLES	TM (NPT)	BORE (in.)	WEIGHT (lbs)
2"	1.9	4.9	3.5	3.9	5.6	6.7	3.7	16.1	4.75	5/8 UNC	4	0.31	2	1/4	4	22
3"	2.0	5.9	3.5	4.7	6.6	8.0	3.7	19.5	6.00	5/8 UNC	4	0.34	2	1/4	4	26
4"	2.0	6.7	3.5	5.5	7.6	8.8	4.5	21.9	7.50	5/8 UNC	8	0.34	2	1/4	4	33
5"	2.3	6.7	4.1	5.9	8.5	10.5	5.5	25.0	8.50	3/4 UNC	8	0.34	2	1/4	5	46
6"	2.3	7.7	4.1	6.5	9.6	11.5	5.5	27.6	9.50	3/4 UNC	8	0.47	2	1/4	5	59
8"	2.7	9.7	4.6	8.0	12.5	14.0	6.9	34.5	11.75	3/4 UNC	8	0.47	2	1/4	6	101
10"	2.7	11.7	4.6	9.2	13.9	16.3	8.7	39.4	14.25	7/8 UNC	12	0.47	4	3/8	7	154
12"	3.0	13.7	4.6	10.7	15.6	18.2	8.7	44.6	17.00	7/8 UNC	12	0.47	4	3/8	8	195
14"	3.0	15.5	7.6	12.3	18.3	21.3	10.9	51.9	18.75	1 UNC	12	0.59	4	3/8	10	297
16"	3.5	17.4	7.6	13.7	20.2	23.2	10.9	57.1	21.25	1 UNC	16	0.59	4	3/8	10	356
18"	3.5	19.0	7.8	15.0	21.7	26.0	15.0	62.8	22.75	1 1/8 UNC	16	0.59	6	1/2	10	466
20"	4.5	21.3	7.8	17.0	24.1	28.0	15.0	69.0	25.00	1 1/8 UNC	20	0.88	6	1/2	12	638
24"	4.5	25.1	7.8	19.7	27.4	31.9	15.0	79.1	29.50	1 1/4 UNC	20	0.88	6	1/2	12	825

Alloy Valves and Control

Features

Body

- One piece integrally cast stainless steel body with reinforced ribs in larger diameters for extra body strength.
- Internal cast gate wedges and guides allow tighter shut-off.
- Full port design complying with MSS-SP-81 and TAPPI TIS 405-8
- Internal design reduces build up of solids which could affect valve operation.

Gate

- AISI 316 stainless steel gate as standard.
- Gates are polished and lapped both sides for improved sealing.
- Bottom edge of gates have a machined bevel to cut through solids and provide a tighter seal when closed.

Seat

- Unique design which mechanically locks the seat in the valve body using a stainless steel retainer ring.
- Resilient EPDM seat as standard with different materials available as options.

Packing

- Braided PTFE impregnated fibre and EPDM o-ring as standard for improved stem sealing.
- Long-life braided packing is available in a wide range of materials.

Stem

- Long life corrosion resistant stainless steel stem as standard.
- The hand wheel assembly includes a grease nipple for stem lubrication to give easier operation and enhance life expectancy.
- Hand wheel assemblies include a protective cover for the stem to prevent against the ingress of dust.

Actuators

- AVCO supplies actuators which are interchangeable and have standard mounting kits for easy site installation.

Yoke and Support Plates

- Made from Epoxy coated carbon steel with stainless steel available upon request.
- Compact design makes it extremely robust even in severe conditions.

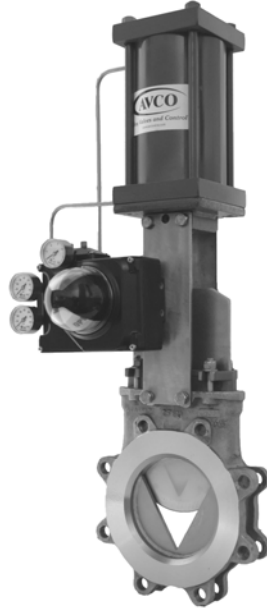
Item	Parts	Material
1	Body	CF8M
2	Gate	AISI 316
3	Support	Carbon Steel
4	Packing Gland	CF8M
5	Packing	Braided PTFE
6	O-Ring	EPDM
7	Spindle	AISI 303
8	Yoke	Carbon Steel (2" to 6") Cast Iron (8" to 24")
9	Yoke Sleeve	Brass
10	Hand Wheel	Cast Iron
11	Friction Washer	Brass
12	Grease Nipple	Steel
13	Hood	Carbon Steel
14	Cap	Plastic
15	Nuts & Bolts	Steel 8.8/AISI 316
16	Pneumatic Cylinder	Aluminum/Steel

Alloy Valves and Control



Electric Actuator

120 VAC
NEMA 4/7
Positioners 4-20mA



Actuators

Pneumatic
Hydraulic
Double Acting
Solenoid Valves
Limit Switches
Positioners 4-20mA
Intelligent Positioner



Manual Valves

Bevel Gear
Lever
Custom Extensions
Lock Out

HOW TO ORDER

2"	6	1	1	3	M
Size	Series	Style	Port Type	Body Material	Seat Material
2"	6000 Series Knifegate Valve	1 - Tappi	1 - Standard	3 - 254 SMO	M - Metal
3"		2 - Slurry	2 - V-Port 60°	6 - 316 SS	RB - Resilient Buna
4"		3 - Wafer	2 - V-Port 90°	7 - 317 SS	RE - Resilient EPDM
5"		4 - Bi-Directional	8 - Deflector Cone	8 - 317L SS	RN - Resilient Neoprene
6"		5 - Scavenger		9 - Hastelloy	RV - Resilient Viton
8"		6 - Knife Control		0 - Other	
10"		8 - Double Gate			
12"					
14"					
16"					
18"					
20"					
24"					

Copyright © 2006 Alloy Valves and Control, Inc. All rights reserved. No part of this brochure may be used or reproduced in any manner whatsoever without written permission from AVCO.

This brochure is general in nature and we reserve the right to alter dimensions, materials or make design improvements. Revision date: 16 June 2008