



Alloy Valves and Control

GLOBE VALVE 2226



Size:

1/2" - 2"
200 PSI

End Connections:

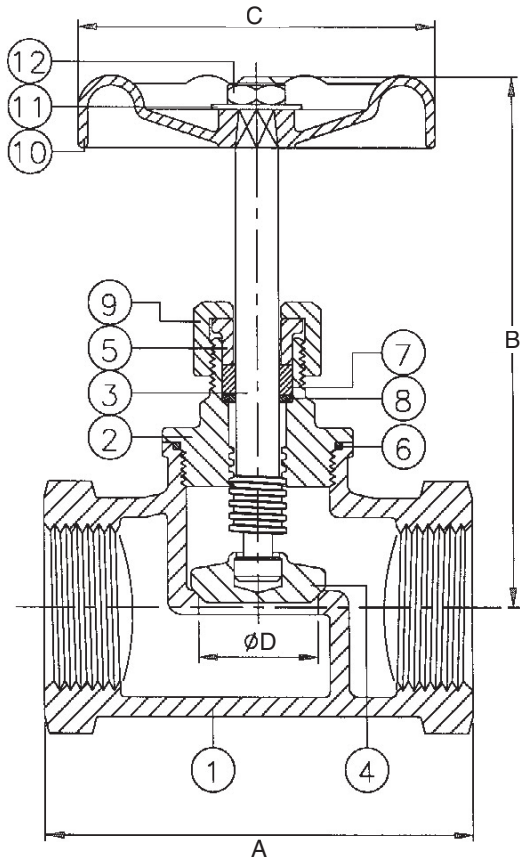
NPT
Socket Weld

Valve Materials:

316 Stainless Steel

Service Applications:

Hydraulic
Steam
Oxygen
Vacuum
Thermal Fluids
Chemical
Oil/ Gas
Food Processing
Dry/ Liquid Chlorine



Features

- Inside Screw & Screwed Bonnet
- Swivel Plug
- Integrated Seats
- Non-rising Stem
- Hand Wheel
- 316 SS

Item	Parts	Material
1	Body	316 SS
2	Bonnet	316 SS
3	Stem	316 SS
4	Disc	316 SS
5	Gland Ring	SS
6	Gasket	TFE
7	Packing	TFE
8	Washer	316 SS
9	Gland Nut	316 SS
10	Hand Wheel	Steel
10	Name Plate	Aluminum
12	Stem Nut	SS

Size	1/2"	3/4"	1"	1-1/4"	1-1/2"	2"
A	2.60	2.70	3.08	3.39	3.86	4.35
B	3.52	3.51	3.64	4.65	4.61	5.59
C	2.76	2.76	3.01	4.07	4.07	4.76
D	0.47	0.59	0.79	0.98	1.30	1.57

HOW TO ORDER

1"	2	2	2	6
Size	Series	Pressure Rating	End Connection	Body Material
1/2" 3/4" 1" 1-1/4" 1-1/2" 2"	2-GlobeValve	2-200 psi	2-FNPT	6-316 SS

Distributed by: