



Alloy Valves and Control

CHECK VALVE 3226



Size:

1/2" - 2"
200 PSI

End Connections:

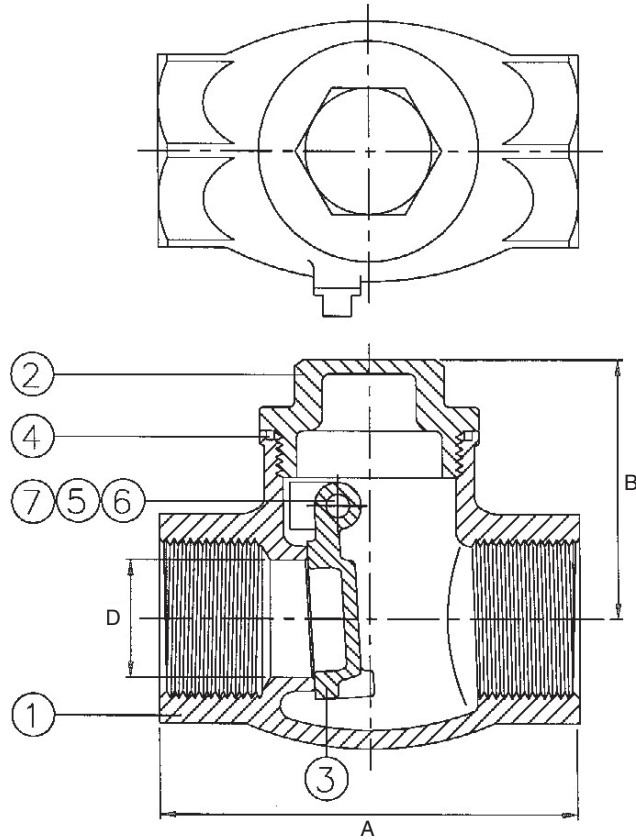
NPT
Socket Weld

Valve Materials:

316 Stainless Steel

Service Applications:

Hydraulic
Steam
Oxygen
Vacuum
Thermal Fluids
Chemical
Oil/ Gas
Food Processing
Dry/ Liquid Chlorine



Features

- Screwed Cap
- Swing Type Disc
- Integrated Seats
- 316 SS

Item	Parts	Material
1	Body	316 SS
2	Cap	316 SS
3	Disc	316 SS
4	Gasket	TFE
5	Plug Seal	TFE
6	Plug	316 SS
7	Pin	316 SS

Size	1/2"	3/4"	1"	1-1/4"	1-1/2"	2"
A	2.56	3.20	3.56	4.20	4.80	5.50
B	1.88	2.34	2.56	2.87	3.00	3.37
D	0.59	0.79	0.98	1.26	1.57	1.97

HOW TO ORDER

1"	3	2	2	6
Size	Series	Pressure Rating	End Connection	Body Material
1/2" 3/4" 1" 1-1/4" 1-1/2" 2"	3-Check Valve	2-200 psi	2-FNPT	6-316 SS

Distributed by: