

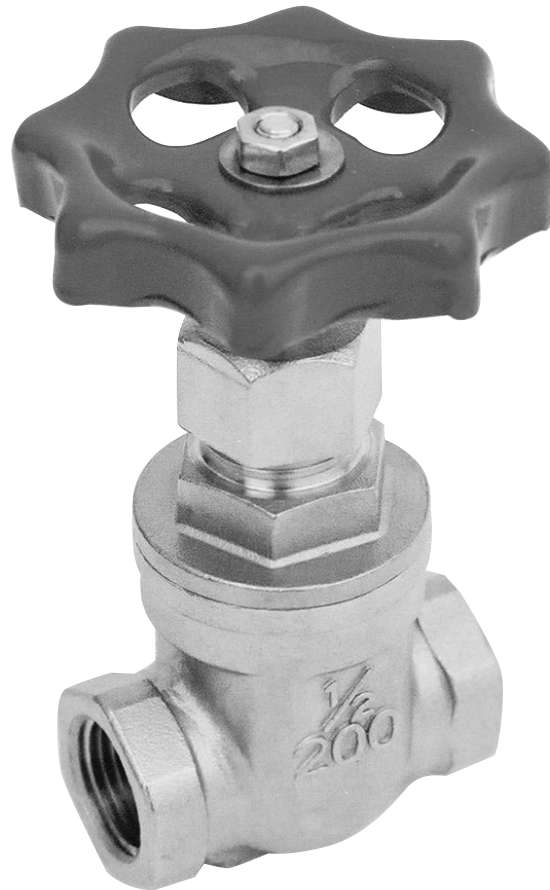


*Alloy Valves and Control*



*Alloy Valves and Control*

## GATE VALVE 1226



**Size:**

1/2" - 2" Full Port  
200 PSI

**End Connections:**

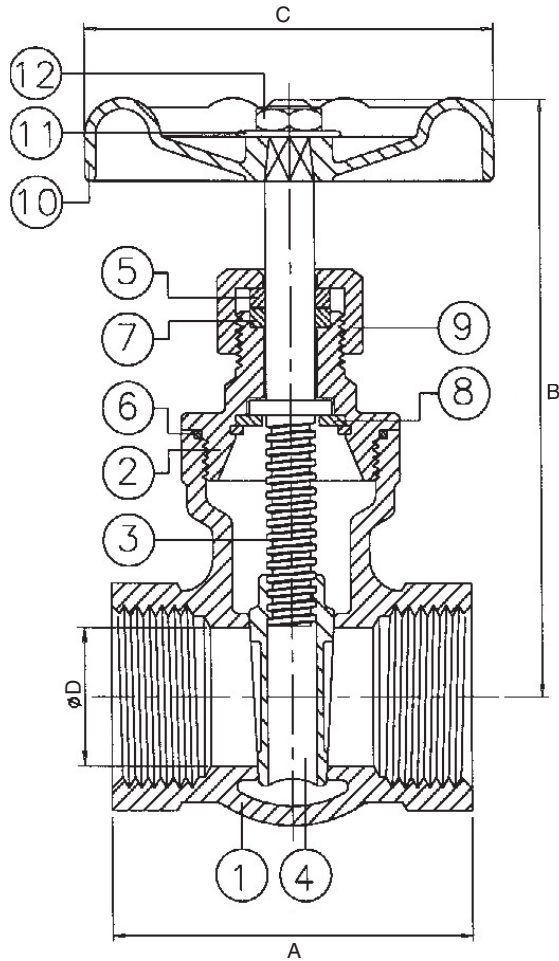
NPT  
Socket Weld

**Valve Materials:**

316 Stainless Steel

**Service Applications:**

Hydraulic  
Steam  
Oxygen  
Vacuum  
Thermal Fluids  
Chemical  
Oil/ Gas  
Food Processing  
Dry/ Liquid Chlorine



### Features

- Inside Screw & Screwed Bonnet
- Wedge Type Disc
- Integrated Seats
- Non-rising Stem
- Hand Wheel
- 316 SS

Item	Parts	Material
1	Body	316 SS
2	Bonnet	316 SS
3	Stem	316 SS
4	Disc	316 SS
5	Gland Ring	316 SS
6	Gasket	TFE
7	Packing	TFE
8	Snap Ring	SS
9	Gland Nut	316 SS
10	Hand Wheel	Steel
11	Name Plate	Aluminum
12	Stem Nut	SS

Size	1/2"	3/4"	1"	1-1/4"	1-1/2"	2"
A	2.24	2.38	2.64	3.00	3.43	3.75
B	3.86	4.09	4.53	5.00	5.00	7.44
C	2.76	2.76	3.01	3.01	4.07	4.76
D	0.63	0.80	1.02	1.25	1.57	1.98

### HOW TO ORDER

1"	1	2	2	6
Size	Series	Pressure Rating	Ball & Stem End Connection	Body Material
1/2" 3/4" 1" 1-1/4" 1-1/2" 2"	1-Gate Valve	2-200 psi	2-FNPT	6-316 SS

Distributed by: