



Alloy Valves and Control

BALL VALVES 200 SERIES



Size:

1/4" - 3" Full Port
1000 WOG

End Connections:

NPT

Valve Materials:

316 Stainless Steel

Ball and Stem Materials:

316 Stainless Steel

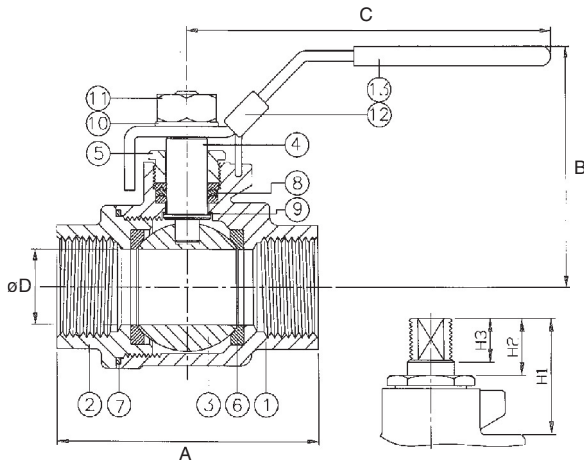
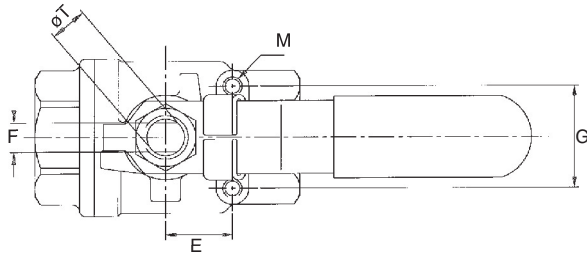
Seat Materials:

RTFE

Service Applications:

Hydraulic
Steam
Oxygen
Vacuum
Thermal Fluids
Chemical
Oil/ Gas
Food Processing
Dry/ Liquid Chlorine

Alloy Valves and Control



Features

- The NPT ends conform to ASME
- Investment Casting
- Blow-out Proof Stem
- Full Bore 1000 WOG
- RTFE Seats
- TFE Seal and Packing
- Latch Lock Handle
- Mounting Pad Tapped

	Parts	Material
1	Body	316 SS
2	End Cap	316 SS
3	Ball	316 SS
4	Stem	316 SS
5	Gland Nut	SS
6	Ball Seat	RTFE
7	Body Seal	TFE
8	Packing	TFE
9	Thrust Washer	TFE
10	Spring Washer	SS
11	Stem Nut	SS
12	Handle	SS
13	Handle Sleeve	Vinyl

SIZE	A	B	C	D	E	F	G	H ₁	H ₂	H ₃	M	ØT	TORQUE IN/LB	WEIGHT/LB	CV
1/4"	2.00	2.36	3.86	0.46	0.50	0.19	1.12	0.94	0.54	0.52	M5	3/8"-24UNF	36	0.57	10
3/8"	2.00	2.36	3.86	0.49	0.50	0.19	1.12	0.99	0.58	0.52	M5	3/8"-24UNF	36	0.62	10
1/2"	2.28	2.44	3.86	0.59	0.50	0.19	1.12	0.99	0.57	0.52	M5	3/8"-24UNF	39	0.66	12
3/4"	2.58	2.44	4.92	0.79	0.50	0.25	1.12	1.25	0.64	0.63	M5	7/16"-20UNF	52	1.21	35
1"	3.10	3.15	5.79	0.98	0.88	0.31	1.38	1.55	0.70	0.64	M5	7/16"-20UNF	65	1.85	60
1-1/4"	3.54	3.35	5.79	1.26	1.00	0.31	1.50	1.49	0.65	0.64	M6	7/16"-20UNF	78	2.78	100
1-1/2"	4.13	3.94	7.48	1.50	1.00	0.39	1.50	1.71	0.84	0.79	M6	1/2"-20UNF	117	4.41	150
2"	4.88	4.25	7.48	1.97	1.00	0.39	1.50	1.65	0.83	0.79	M6	1/2"-20UNF	143	6.90	250
2-1/2"	5.76	5.35	9.84	2.48	1.14	0.47	1.97	2.16	1.23	1.08	M6	3/4"-10UNC	390	13.20	400
3"	6.44	5.75	9.84	2.99	1.38	0.47	2.20	2.20	1.24	1.08	M6	3/4"-10UNC	412	22.30	600

HOW TO ORDER

1"	2	3	3	R	T	SE
Size	Series	Body & End Material	Ball & Stem	Seat	Seal	End
1/4" 3/8" 1/2" 3/4" 1" 1-1/4" 1-1/2" 2" 2-1/2" 3"	200 Series 2 Piece Full Port	3-316SS	3-316SS	R-RTFE	T-Teflon	SE-FNPT

Distributed by:

Copyright © 2003 Alloy Valves and Control, Inc. All rights reserved. No part of this brochure may be used or reproduced in any manner whatsoever without written permission of AVCO.

This brochure is general in nature and manufacturer reserves the right to alter dimensions, materials or make design improvements