

AVCO

Alloy Valves and Control

BALL VALVES 1500 SERIES



Size

1/4" - 4" (Full Port)

End Connections

NPT
Butt Weld
Socket Weld
Flanged (150#, 300#, 600#)

Valve Materials

316 Stainless Steel

Ball & Stem Materials

316 Stainless Steel
Hastelloy C
Monel 400

Seat Materials

TFE
25% Carbon TFE
PCTFE (KEL-F)

Service Applications

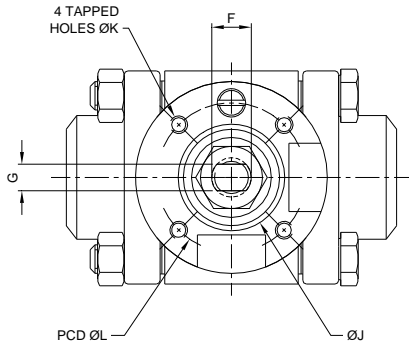
Aerospace
Cryogenic Service
Food Processing
Liquid H₂
Liquid N₂
Petro-Chemical

Applicable Standards

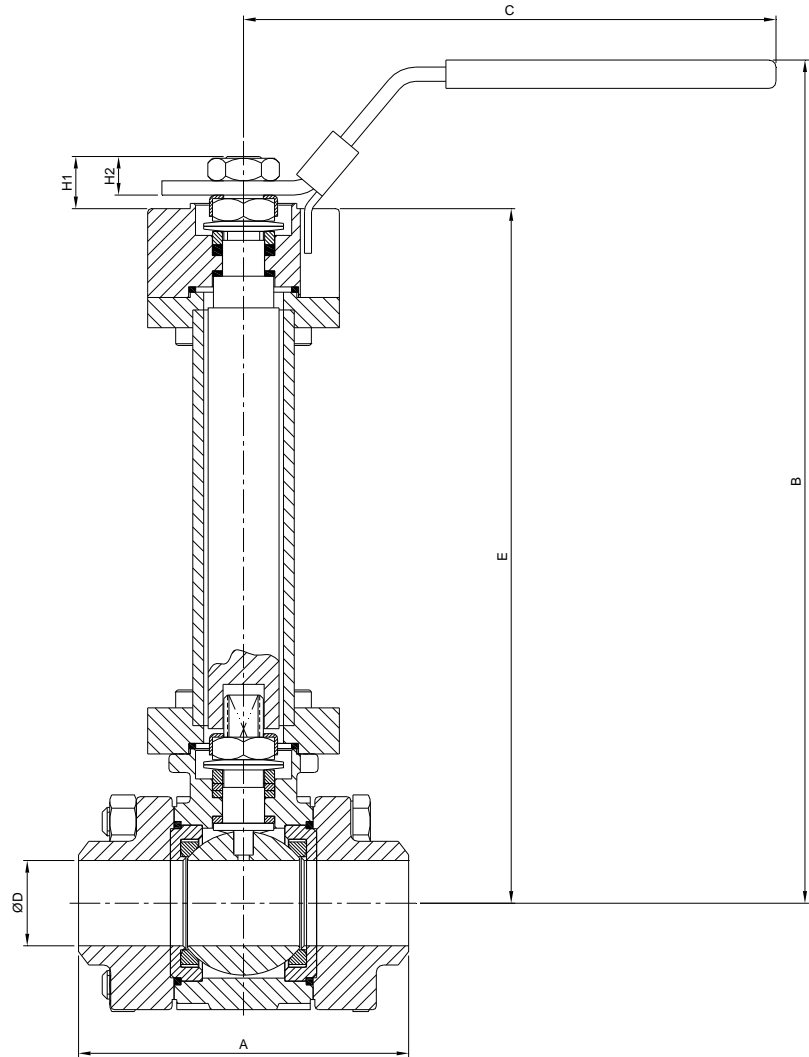
ASME B16.34
API 598
API 607 4th Edition

Alloy Valves and Control

1/4" THRU 2"



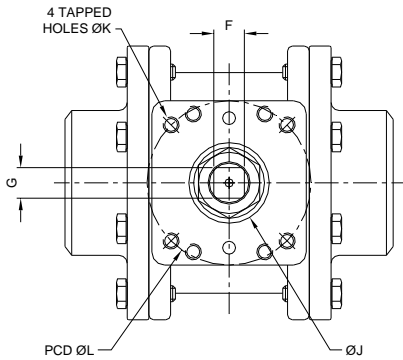
Plan View with Handle Removed



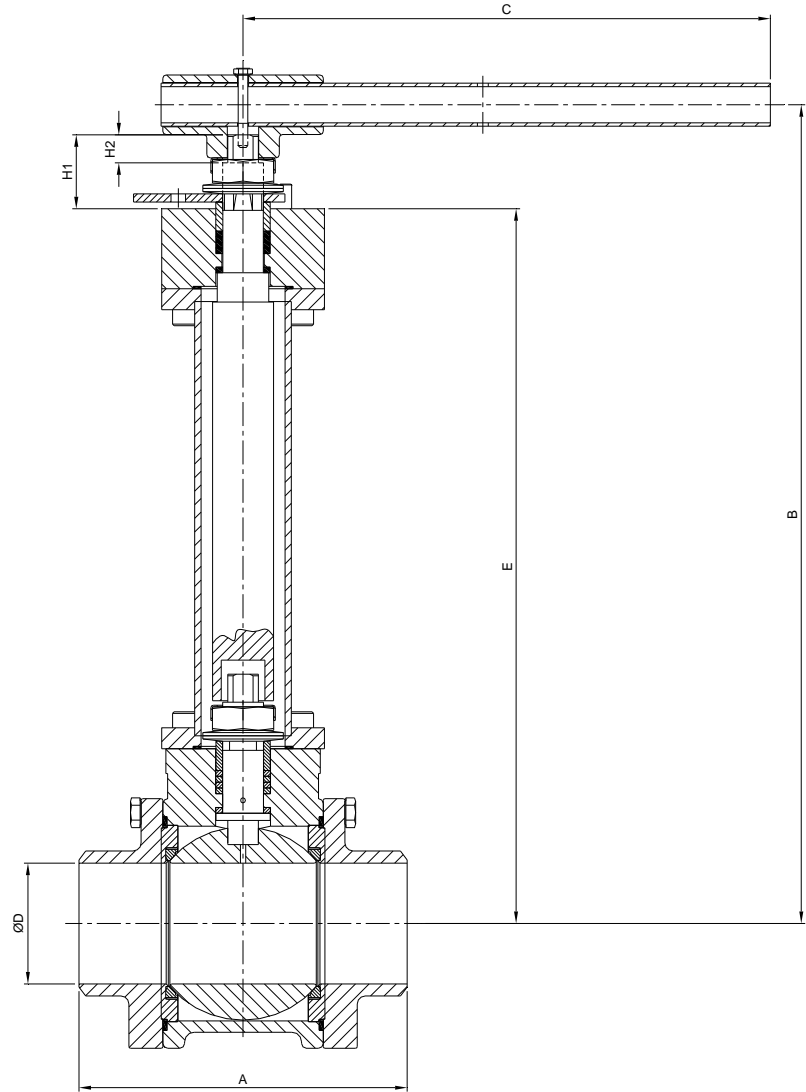
SIZE	A (in.)	B (in.)	C (in.)	D (in.)	E (in.)	F (in.)	G (in.)	H1 (in.)	H2 (in.)	J (in.)	K	L (in.)	ISO 5211	WEIGHT (lbs)	TORQUE (in-lbs)	CV
1/4"	2.59	8.84	4.53	0.32	7.76	0.38	0.22	0.51	0.28	0.98	M5	1.42	F03	3	65	5
3/8"	2.59	8.84	4.53	0.39	7.76	0.38	0.22	0.51	0.28	0.98	M5	1.42	F03	3	65	5
1/2"	2.95	8.84	4.53	0.59	7.76	0.38	0.22	0.51	0.28	0.98	M5	1.42	F03	3	65	5
3/4"	3.16	8.85	4.53	0.79	7.71	0.38	0.22	0.54	0.29	0.98	M5	1.42	F03	3	80	21
1"	3.66	9.23	5.91	0.95	7.69	0.44	0.30	0.65	0.43	1.18	M5	1.65	F04	7	120	44
1 1/4"	4.35	9.55	5.91	1.18	7.86	0.44	0.30	0.67	0.47	1.18	M5	1.65	F04	9	235	64
1 1/2"	4.72	11.32	6.85	1.50	9.35	0.57	0.34	1.13	0.61	1.38	M6	1.97	F05	12	290	87
2"	5.51	11.65	6.85	1.97	9.68	0.57	0.34	1.61	0.64	1.38	M6	1.97	F05	17	450	210

Alloy Valves and Control

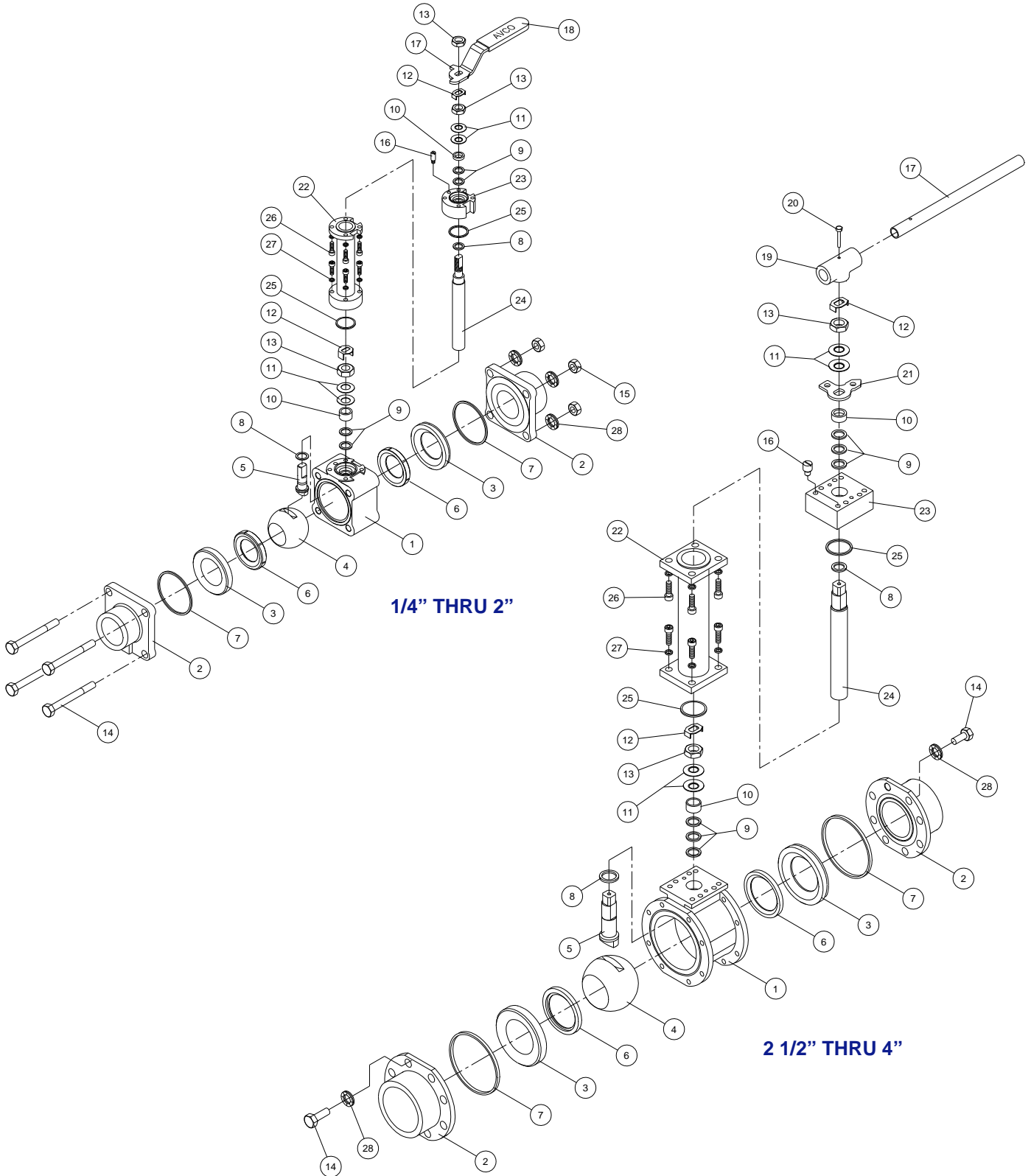
2 1/2" THRU 4"



Plan View with Handle Removed



SIZE	A (in.)	B (in.)	C (in.)	D (in.)	E (in.)	F (in.)	G (in.)	H1 (in.)	H2 (in.)	J (in.)	K	L (in.)	ISO 5211	WEIGHT (lbs)	TORQUE (in-lbs)	CV
2 1/2"	7.27	20.00	8.84	2.52	17.54	0.79	0.55	1.65	0.72	1.58	M8	2.76	F07	55	685	277
3"	8.03	20.00	13.74	2.95	17.54	0.75	0.75	1.82	0.69	1.97	M10	4.02	F10	58	1200	482
4"	9.45	20.54	13.74	3.78	18.08	0.75	0.75	1.82	0.69	1.97	M10	4.02	F10	74	2000	1001



Alloy Valves and Control

Item	Parts	Material
1	Body	316 Stainless Steel
2	End Cap	316 Stainless Steel
3	Retainer *	316 Stainless Steel/Hastelloy C/Monel 400
4	Ball	316 Stainless Steel/Hastelloy C/Monel 400
5	Stem	316 Stainless Steel/Hastelloy C/Monel 400
6	Ball Seat	25% Carbon TFE PCTFE TFE
7	Body Seal	TFE/Graphoil
8	Thrust Washer	25% Carbon TFE/Graphoil
9	Packing	25% Carbon TFE/Graphoil
10	Gland Ring	304 Stainless Steel
11	Disc Spring	304 Stainless Steel
12	Lock Tab	304 Stainless Steel
13	Stem Nut	304 Stainless Steel
14	Body Bolt	304 Stainless Steel
15	Body Nut	304 Stainless Steel
16	Stop Pin	304 Stainless Steel
17	Handle	304 Stainless Steel
18	Handle Sleeve	Vinyl
19	Wrench Block	304 Stainless Steel
20	Handle Bolt	304 Stainless Steel
21	Lock Pad	304 Stainless Steel
22	Bonnet Extension	316 Stainless Steel
23	Bonnet Stem Body	316 Stainless Steel
24	Stem Extension	316 Stainless Steel
25	Bonnet Gasket	TFE/Graphoil
26	Bonnet Bolt	304 Stainless Steel
27	Bonnet Washer	304 Stainless Steel
28	Disc-Lock Washer	316 Stainless Steel

* This item is integral with the end cap (item 2) on sizes 1/4" thru 3/4"

Features

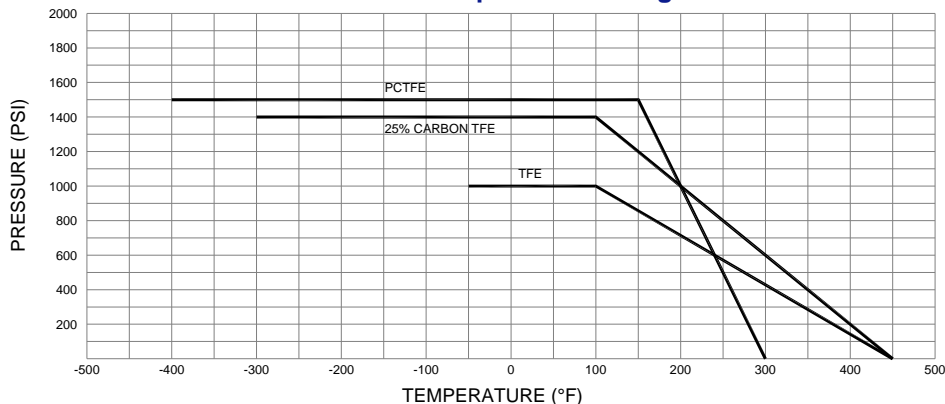
Encapsulated Seats, Seals & Body Bolts
Spring Loaded Stem Packing
Bottom Entry Stem to Prevent Blow-out
Locking Handle
Inter-changeable End Caps
ISO 5211 Mounting Pad
Vent Hole in Ball
Optional Extended Bonnet Lengths

Notes

Please contact AVCO if you require dimensional information for flanged ends and diverter valves.

We carry most of our range in CAD format and can provide customized versions upon request.

Pressure/Temperature Rating





Electric Actuator

120 VAC
12/24 VDC
NEMA 4/7
Positioners 4-20mA
Reversing
Telemetry
Battery Back-up



Pneumatic Actuator

Double Acting
Spring Return
Solenoid Valves
Limit Switches
Positioners 3-15 psi
Positioners 4-20mA
Intelligent Positioner
Declutchable Manual Override



Manual Valves

Spring Handles
Stem Extensions
Fusible Link
Gear Operators
Oval Handles
Locking Device
Wing Handle

HOW TO ORDER

1"	15	3	3	T	T	SE	BAVT
Size	Series	Body & End Material	Ball & Stem Material	Seat Material	Seal Material	End Style	Options
1/4"	1500 Series 3 Piece Cryogenic Full Port Ball Valve	3 - 316 SS	3 - 316 SS	T - TFE	T - TFE	SE - NPT	BAVT - Vented Ball
3/8"			4 - Monel 400	C - 25% Carbon TFE	G - Graphoil	SW - Socket Weld	BAHL - Hardened Ball
1/2"			6 - Hastelloy C	K - PCTFE (KEL F)	BW - Butt Weld	BAB90 - 90° Bottom Diverter	
3/4"					150 - 150# Flange	BAB180 - 180° Bottom Diverter	
1"					300 - 300# Flange	BAS90 - 90° Side Entry Diverter	
1 1/4"					600 - 600# Flange	BAV15 - 15° Vee Port	
1 1/2"						BAV30 - 30° Vee Port	
2"						BAV45 - 45° Vee Port	
2 1/2"						BAV60 - 60° Vee Port	
3"						EBxx - Custom Bonnet Length	
4"							
						Variations of the above or special ends can be supplied upon request	