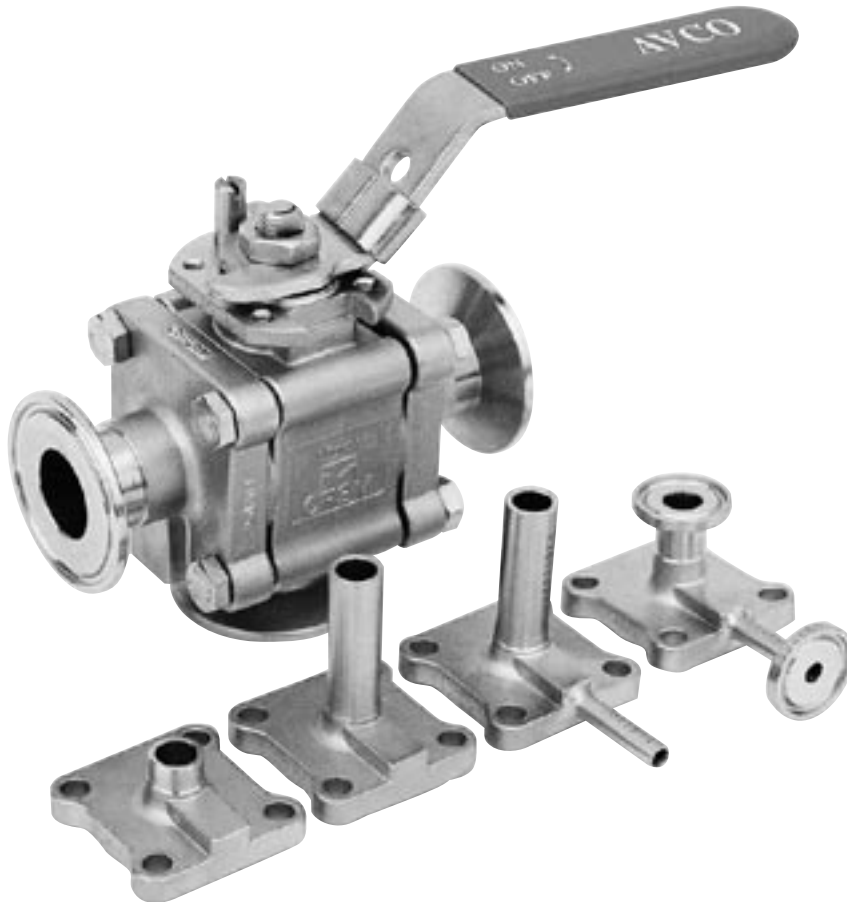


AVCO

Alloy Valves and Control

BALL VALVES 3000 SERIES



Size:

1/2"-4" Full Port
1500 WOG

End Connections:

Extended Tube OD
Short Weld Tube OD
Socket Weld Tube OD
Clamp Ends
Flush Bottom Tank Pad

Body Materials:

316L Stainless Steel

Ball and Stem Materials:

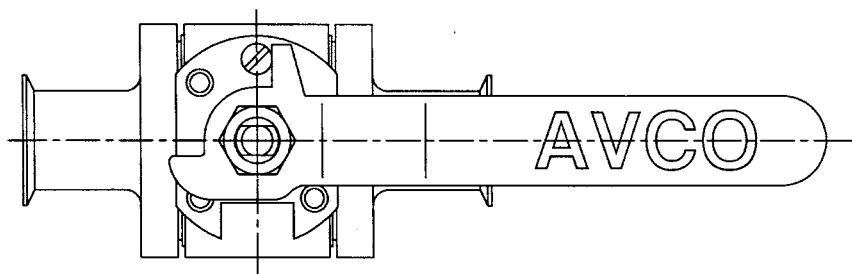
316L Stainless Steel

Seat Materials:

TFM
PEEK
UHMWPE

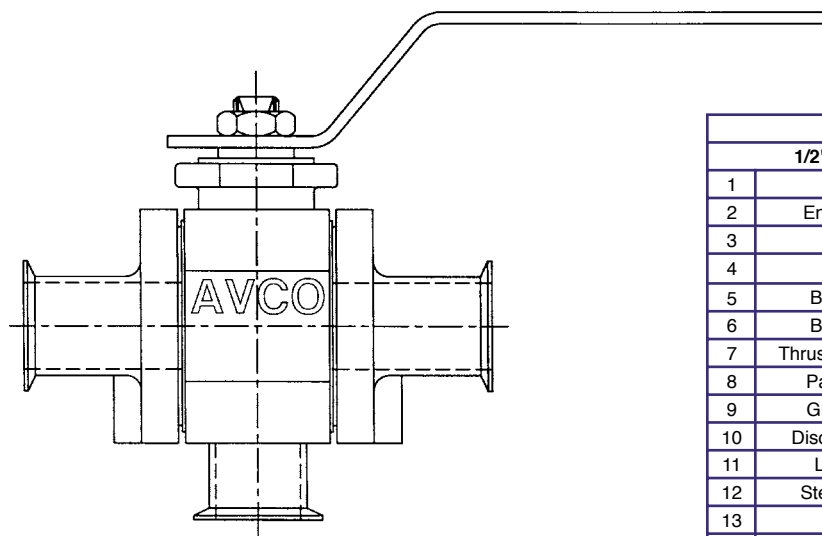
Service Applications:

Biotech
Clean Steam
Cleaning Solutions
Detergents
Gas and Air Delivery
High Purity Gases
High Purity Water/ Oils
Pharmaceutical
Vacuum
Waxes



Features

- 3 Piece Design
- Tube OD Bore
- 316L Stainless Body, Ball, Stem and Ends
- Extended Tube OD Butt Weld
- Clamp Ends
- TFE Seats
- Finished to 10 Ra - Electro Polish
- ISO Mounting Pad
- ASME-BPE Compliant



		Parts		Material
		1/2" - 2"	2-1/2" - 4"	Stainless Steel
1	Body	1	Body	316L SS
2	End Cap (2)	2	End Cap (2)	316L SS
3	Ball	3	Ball	316L SS
4	Stem	4	Stem	316L SS
5	Body Seat	5	Body Seat	TFM
6	Body Seat	6	Body Seat	TFE
7	Thrust Washer (2)	7	Thrust Washer (2)	TFE
8	Packing (3)	8	Packing (3)	TFE
9	Gland Ring	9	Gland Ring	SS
10	Disc Spring (2)	10	Disc Spring (2)	SS
11	Lock Pad	11	Lock Pad	SS
12	Stem Nut (2)	12	Stem Nut	SS
13	Bolt (4)	13	Bolt (6-8) per end	SS
14	Nut (4)	14	N/A	SS
			15 Stop Plate	SS
15	Stop Pin	16	Stop Pin	SS
16	Handle	17	Handle	SS
17	Handle Sleeve			Vinyl
		18	Wrench Block	SS
		19	Hex Head Bolt	SS

HOW TO ORDER

1"	31	3	3	T	T	TR	10	A1
Size	Series	Body & End Material	Ball & Stem Material	Seat	Seal	End	Finish	Diverter
1/2" 3/4" 1" 1-1/4" 1-1/2" 2" 3" 4"	3000 Series 31- Standard 3-Way 35- Cryogenic 39- V-Port	3-316 L	3-316 L	T - TFM P - PEEK U - UHMWPE	T - TFE C - CTFE U - UHMWPE	ETO - Extended Tube OD BWO - Tube OD BW SWO - Tube OD SW TR - Tri Clamp ®	10 - RA 10 20 - RA 20 EP - Electro Polish	A1 - Bottom Port (90°) A2 - Bottom Port (180°) A3 - Side Port (90°)

Distributed by: