

AVCO

Alloy Valves and Control

BALL VALVES 500 SERIES



Size

1/4" - 4" (No Mount)

1/2" - 4"

(Direct Mount & Clamp Ends)

End Connections

NPT

Socket Weld

Clamp Ends

Butt Weld

Valve Materials

316 Stainless Steel

Ball and Stem Materials

316 Stainless Steel

Seat Materials

RTFE (No Mount & Direct Mount)

TFM Cavity Filled (Clamp Ends)

Service Applications

Chemical

Dry/Liquid Chlorine

Food Processing

Hydraulic

Oxygen

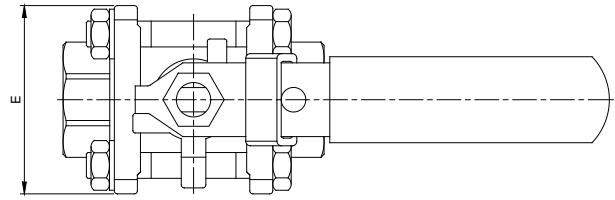
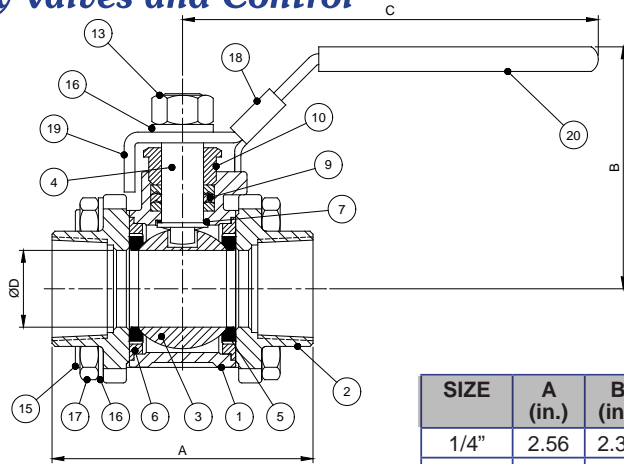
Steam

Thermal Fluids

Vacuum

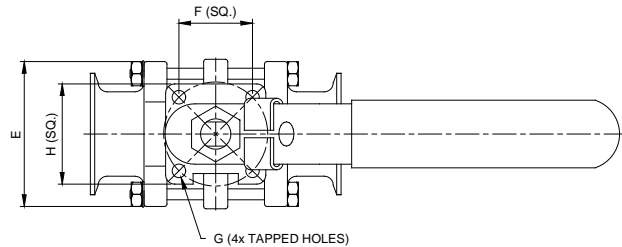
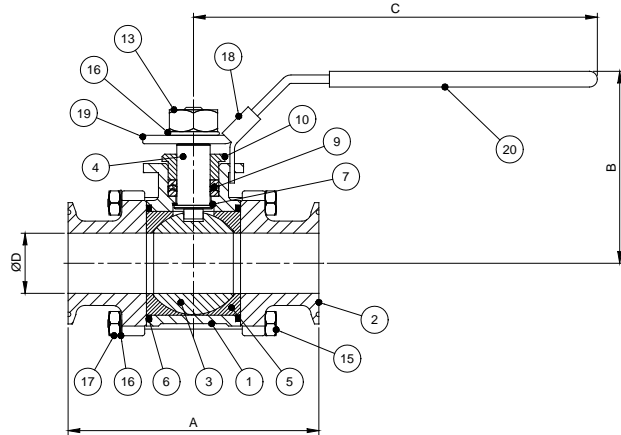
Water/Oil/Gas

Alloy Valves and Control



Standard Ball Valve
1000 WOG
Full Port
Blow-Out Proof Stem
RTFE Seats
NPT, SW & BW Ends
Latch Lock Handle

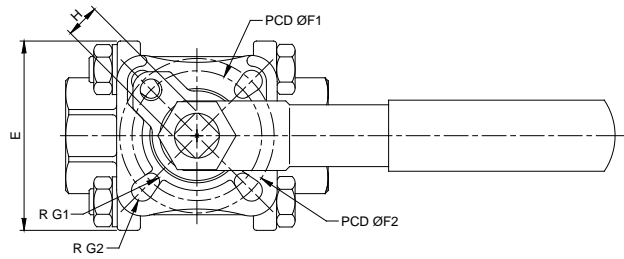
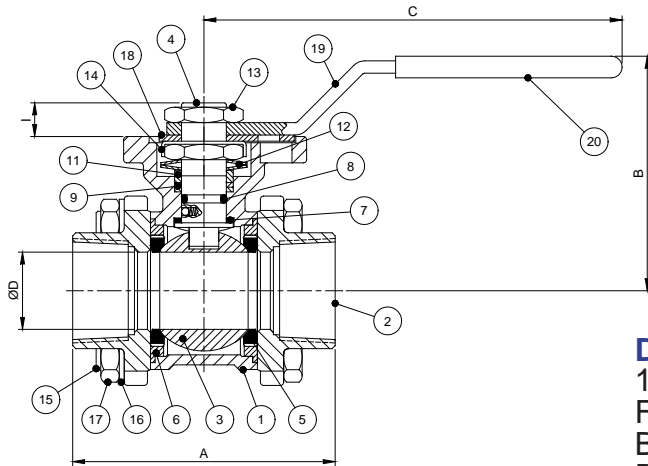
SIZE	A (in.)	B (in.)	C (in.)	D (in.)	E (in.)	WEIGHT (lbs)	TORQUE (in-lbs)	CV
1/4"	2.56	2.36	3.94	0.46	1.56	1	35	6.6
3/8"	2.56	2.36	3.94	0.49	1.56	1	35	7.9
1/2"	2.56	2.44	3.94	0.59	1.82	2	47	11.2
3/4"	2.95	2.44	4.29	0.79	2.05	2	65	21
1"	3.35	3.15	5.87	0.98	2.28	3	9	34
1 1/4"	3.98	3.35	5.87	1.25	2.74	4	118	57
1 1/2"	4.41	3.94	7.48	1.50	3.05	6	157	80
2"	5.12	4.25	7.48	1.97	3.57	9	217	148
2 1/2"	6.38	5.35	9.84	2.48	4.48	18	416	265
3"	7.40	5.75	9.84	2.99	6.67	30	651	415
4"	8.82	7.17	12.72	3.78	8.65	55	955	780



Clamp Ball Valve
1000 WOG
Full Port
Blow-Out Proof Stem
TFM Cavity Filled Seats
Clamp Ends
Latch Lock Handle
ISO Mounting Pad

SIZE	A (in)	B (in)	C (in)	D (in)	E (in)	F (in)	G (in)	H (in)	ISO 5211	WEIGHT (lbs)	TORQUE (in-lbs)	CV
1/2"	3.75	2.50	5.56	0.38	1.91	1.00	M5	1.46	F03	2	51	9
3/4"	4.06	2.62	5.56	0.62	2.20	1.00	M5	1.46	F03	3	79	26
1"	4.53	2.73	5.56	0.87	2.34	1.17	M5	1.65	F04	3	113	61
1 1/2"	5.51	3.96	7.41	1.37	3.16	1.39	M6	1.97	F05	6	203	193
2"	6.22	4.35	7.41	1.88	3.70	1.39	M6	1.97	F05	10	248	432
2 1/2"	7.76	5.48	10.24	2.37	4.80	1.95	M8	2.83	F07	19	528	728
3"	8.98	5.83	10.24	2.87	6.16	1.95	M8	2.83	F07	32	821	1125
4"	9.52	6.89	11.61	3.84	8.70	2.84	M10	3.70	F10	46	1379	1986

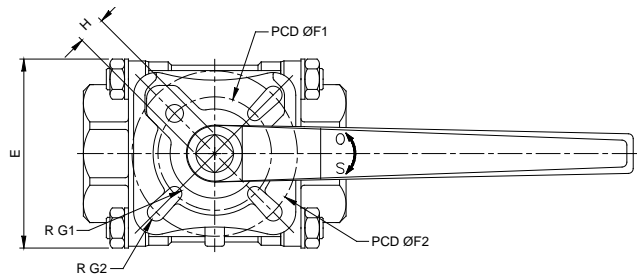
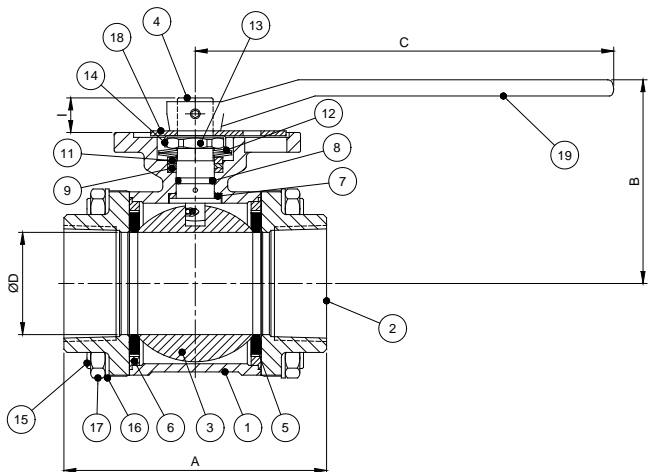
Alloy Valves and Control



Direct Mount Ball Valve (1/2"-2")

- 1000 WOG
- Full Port
- Blow-Out Proof Stem
- RTFE Seats
- BW, NPT & SW Ends
- Latch Look Handle
- ISO Direct Mounting Pad
- Spring System on Stem
- Anti-Static Device

SIZE	A (in)	B (in)	C (in)	D (in)	E (in)	F1 (in)	F2 (in)	G1 (in)	G2 (in)	H (in)	I (in)	ISO 5211	WEIGHT (lbs)	TORQUE (in-lbs)	CV
1/2"	2.56	2.36	4.72	0.59	1.82	1.42	1.65	0.11	0.11	0.35	0.33	F03/F04	2	49	5
3/4"	2.95	2.52	4.72	0.79	2.05	1.42	1.65	0.11	0.11	0.35	0.33	F03/F04	2	67	21
1"	3.35	2.91	5.83	0.98	2.28	1.65	1.97	0.11	0.14	0.43	0.43	F04/F05	3	98	46
1 1/4"	3.98	3.11	5.83	1.26	2.74	1.65	1.97	0.11	0.14	0.43	0.43	F04/F05	4	133	67
1 1/2"	4.41	3.74	7.01	1.50	3.05	1.97	2.76	0.14	0.18	0.55	0.55	F05/F07	6	177	87
2"	5.12	4.06	7.01	1.97	3.57	1.97	2.76	0.14	0.18	0.55	0.55	F05/F07	9	354	210



Direct Mount Ball Valve (2 1/2"-4")

- 1000 WOG
- Full Port
- Blow-Out Proof Stem
- RTFE Seats
- BW, NPT & SW Ends
- Latch Look Handle
- ISO Direct Mounting Pad
- Spring System on Stem
- Anti-Static Device

SIZE	A (in)	B (in)	C (in)	D (in)	E (in)	F1 (in)	F2 (in)	G1 (in)	G2 (in)	H (in)	I (in)	ISO 5211	WEIGHT (lbs)	TORQUE (in-lbs)	CV
2 1/2"	6.38	4.84	12.80	2.48	4.48	2.76	4.02	0.18	0.22	0.67	0.81	F07/F10	16	531	275
3"	7.40	5.18	12.80	2.99	6.67	2.76	4.02	0.18	0.22	0.67	0.81	F07/F10	23	753	485
4"	8.82	6.52	12.80	3.78	8.65	4.02	4.92	0.22	0.26	0.87	0.89	F10/F12	43	1328	617

