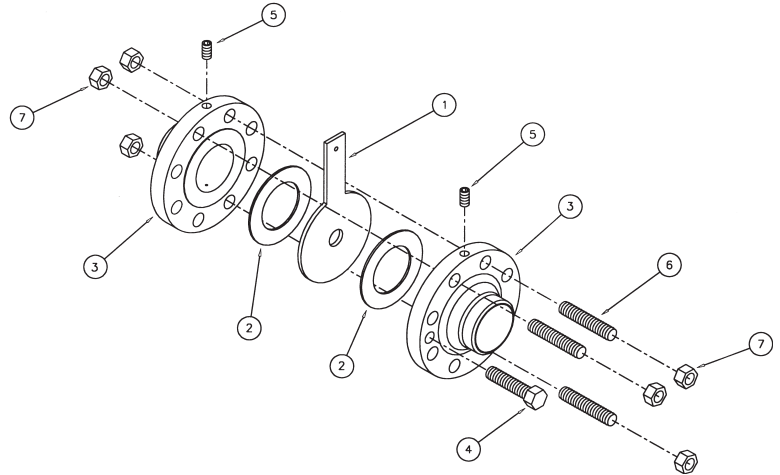
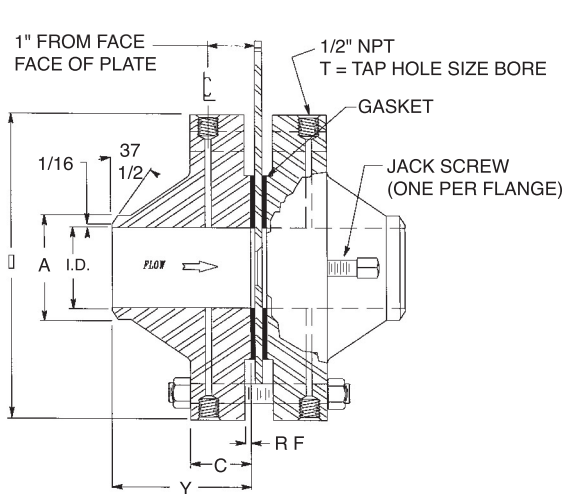


Alloy Valves and Control

### ORIFICE FLANGE SET

#### RAISED FACE WELD NECK



### 300# ANSI RATING

	Diam. Internal Line Bore and Tolerance	Diam. Of Flange	Minimum Flange Thickness	Diam. Of Raised Face	Length Through Hub	Hub Diam. At Base	Diam. Of Hub at Point of Welding	Pressure Tap Hole Size	FLANGE DRILLING TEMPLATE					Jack Screw Size & Length	Approx. Weight (lbs.)
									I.D.	O	C*	Y*	A		
1/2"	.622 ± .002	3 3/4	1 1/2	1 3/8	3	1 1/2	0.84	1/4	2 5/8	9/16	4	1/2 x 4 3/4	1/2 x 3	10	
3/4"	.824 ± .002	4 5/8	1 1/2	1 11/16	3 1/8	1 7/8	1.05	1/4	3 1/4	11/16	4	5/8 x 5	1/2 x 3	10	
1	1.049 ± .003	4 7/8	1 1/2	2	3 1/4	2 1/8	1.32	1/4	3 1/2	11/16	4	5/8 x 5	5/8 x 3	18	
1 1/2"	1.610 ± .003	6 1/8	1 1/2	2 7/8	3 3/8	2 3/4	1.90	1/4	4 1/2	13/16	4	3/4 x 5 1/4	5/8 x 3	25	
2	2.067 ± .003	6 1/2	1 1/2	3 5/8	3 3/8	3 5/16	2.38	3/8	5	13/16	8	5/8 x 5	5/8 x 3	27	
2 1/2"	2.469 ± .003	7 1/2	1 1/2	4 1/8	3 1/2	3 15/16	2.88	3/8	5 7/8	13/16	8	3/4 x 5 1/4	5/8 x 3	35	
3	3.068 ± .003	8 1/4	1 1/2	5	3 1/2	4 5/8	3.50	3/8	6 5/8	7/8	8	3/4 x 5 1/4	3/4 x 3	43	
4	4.026 ± .004	10	1 1/2	6 3/16	3 5/8	5 3/4	4.50	1/2	7 7/8	1	8	3/4 x 5 1/4	3/4 x 3	66	
6	6.065 ± .004	12 1/2	1 1/2	8 1/2	3 15/16	8 1/8	6.63	1/2	10 5/8	1 1/8	12	3/4 x 5 1/4	3/4 x 3	106	
8	I.D. ± .004	15	1 5/8	10 5/8	4 3/8	10 1/4	8.63	1/2	13	1 1/4	12	7/8 x 5 3/4	3/4 x 3	152	
10	I.D. ± .005	17 1/2	1 7/8	12 3/4	4 5/8	12 5/8	10.75	1/2	15 1/4	1 1/4	16	1 x 6 1/2	1 x 4 1/2	216	
12	I.D. ± .005	20 1/2	2	15	5 1/8	14 3/4	12.75	1/2	17 3/4	1 3/8	16	1 1/8 x 7	1 x 4 1/2	327	
14	I.D. ± .005	23	2 1/8	16 1/4	5 5/8	16 3/4	14.00	1/2	20 1/4	1 3/8	20	1 1/8 x 7 1/2	1 x 4 1/2	448	
16	I.D. ± .005	25 1/2	2 1/4	18 1/2	5 3/4	19	16.00	1/2	22 1/2	1 3/8	20	1 1/4 x 8	1 x 4 1/2	596	
18	I.D. ± .007	28	2 3/8	21	6 1/4	21	18.00	1/2	24 3/4	1 3/8	24	1 1/4 x 8 1/4	1 x 4 1/2	741	
20	I.D. ± .007	30 1/2	2 1/2	23	6 3/8	23 1/8	20.00	1/2	27	1 3/8	24	1 1/4 x 8 1/2	1 x 4 1/2	887	
24	I.D. ± .007	36	2 3/4	27 1/4	6 5/8	27 5/8	24.00	1/2	32	1 5/8	24	1 1/2 x 9 1/2	1 x 5 1/2	1311	

	Parts	Material
1	Orifice Plates	316 SS Alloy 20 Monel Hastelloy C
2	Gaskets	Non-Asbestos Flexitallic TFE
3	Flanges	A-105 316 SS Alloy 20 Monel Hastelloy C
4	Jack Screws	CS - ASTM C-1038 SS - 316SS
5	Pipe Plugs	CS - ASTM A-105 SS - 316SS
6	Studs	CS - ASTM A-193; Grade B7 SS - ASTM A-320; Grade B8M
7	Nuts	CS - ASTM A-194; Grade 2H SS - ASTM A-194; Grade 8M